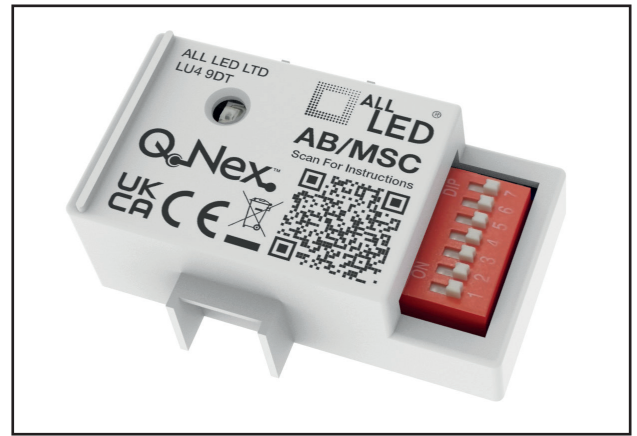


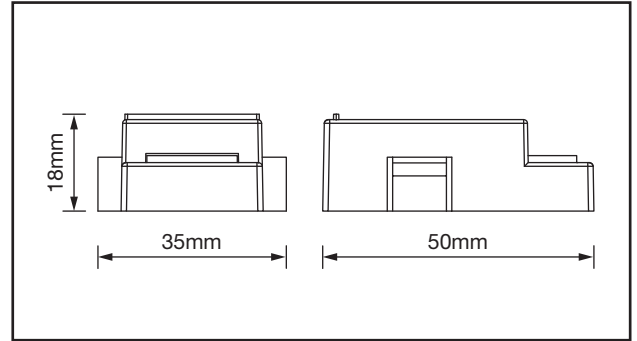
AB/MSC

Q-Nex Plug & Play 2-In-1
Microwave And Corridor Sensor



PRODUCT FEATURES

- 2-In-1 Fully Programmable Microwave On/Off And Corridor Function Sensor
- Easy Commissioning & Programmable Using DIP Switches
- Install In Seconds
- Maximum Mounting Height Of Up To 6m
- Maximum Detection Range Of Up To 12m
- To Be Used With Compatible Products



TECHNICAL SPECIFICATIONS

Product Code	AB/MSC
Mounting Height	6m Max
Detection Range	12m Max
Detection Angle	150°
Standby Dim-Level	20% Or Off
Standby Time	1, 5, or 10 Minutes Or Permanent
Hold Time	5s, 30s, 1min, 3min, 10min
Sensitivity	25%, 50%, 75%, 100%
Daylight Sensor Parameters	2Lux, 10Lux, 25Lux, 50Lux Or Disable

